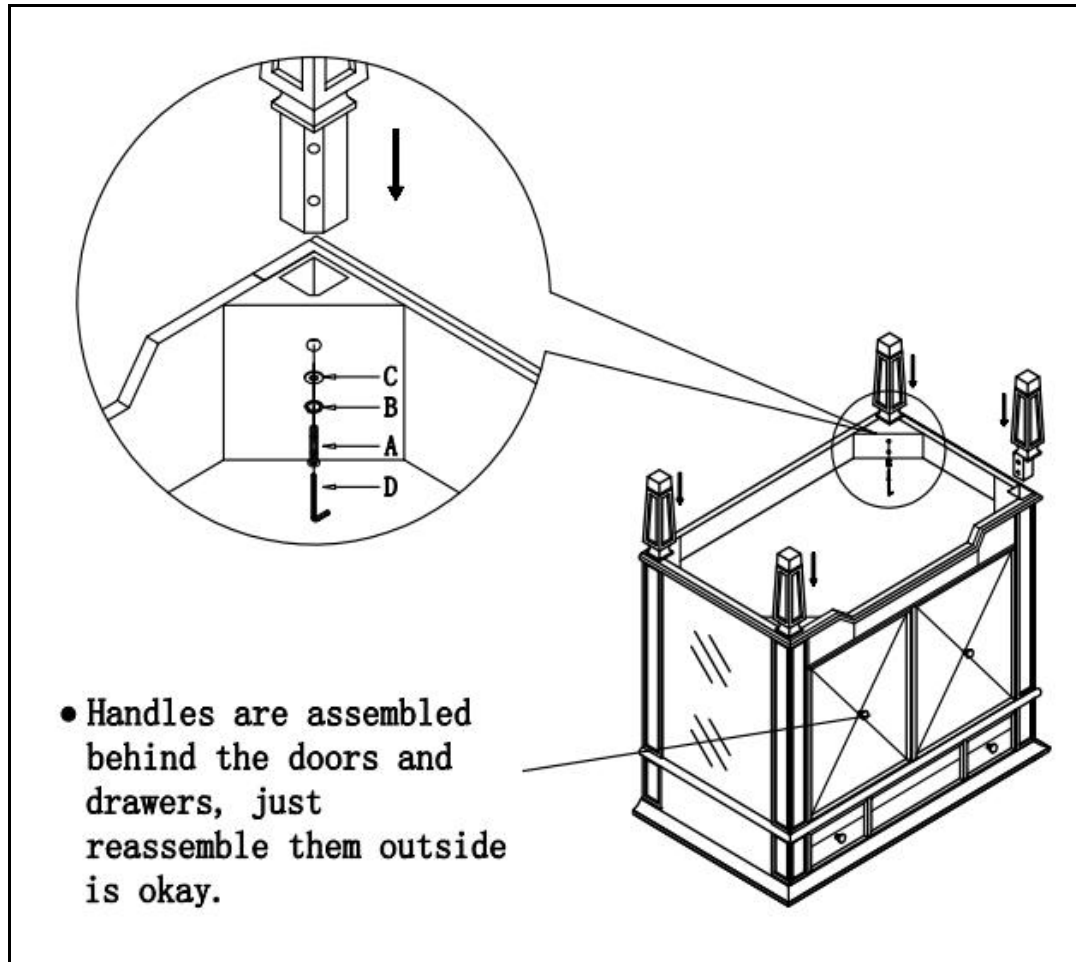








ASSEMBLY INSTRUCTION

ITEM#:VF-1101



- Handles are assembled behind the doors and drawers, just reassemble them outside is okay.

HARDWARE LIST

No	FIGURE	DESCRIPTION	Q'TY
A		BIGGER HEX BOLT	8
B		SPRING WASHER	8
C		FLAT WASHER	8
D		ALLEN KEY	1

